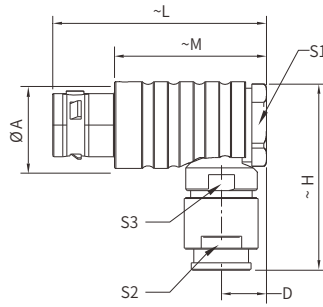


PAG Angled Plug, Nut for Bend Relief, Key(G), Cable Collet

- Connector series: PAG
- Contact: Male
- Key: G(More keys, refer to page 43)
- Locking type: Self-locking
- Orientation type: Elbow (90°)
- Part No.: PAG.XB.XXX.CLADXXZ
- Mated with:
FSG/SFG/SRG/SEG/FBG/PRG/ASG series
Note: "X" refers to part number definition on page 17



General Information



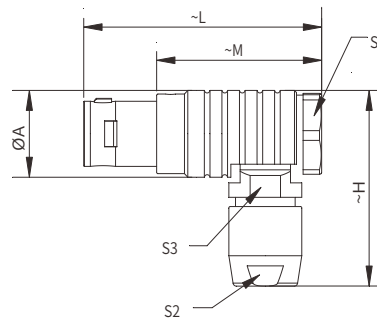
Ambient temperature:	-55°C~+250°C
Mating endurance:	>5000 cycles
Insulator:	PEEK
Connector contacts:	Brass with gold plated
Housing:	Brass with Cr plated

Insulation resistance:	≥ 100MΩ
IP rating:	IP 50
Shielding efficiency:	at 10MHz>75dB / at 1GHz>40dB
Salt spray corrosion test:	>144h

Size	Dimensions(mm)							
	A	D	H	L	M	S1	S2	S3
00	7.7	5.2	19.5	24.5	16.5	7	5	5.5
0B	11.0	6.5	28.0	31.6	21.6	10	7	8.0
1B	13.5	8.0	33.5	36.0	25.0	11	9	10.0
2B	16.5	9.0	38.5	41.5	29.5	14	12	13.0
3B	19.0	10.0	42.0	50.0	35.0	17	14	15.0

PCG New Angled(90°) Plug, Key(G), Cable Collet

- Connector series: PCG
- Contact: Male
- Key: G(More keys, refer to page 43)
- Locking type: Self-locking
- Orientation type: Elbow (90°)
- Part No.: PCG.XB.XXX.CLADXX
- Mated with: FSG/SFG/SRG/SEG/FBG/PRG/ASG
Note: "X" refers to part number definition on page 17



General Information



Ambient temperature:	-55°C~+250°C
Endurance:	>5000 cycles
Insulator:	PEEK
Connector contacts:	Brass with gold plated
Housing:	Brass with Cr plated

Insulation resistance:	≥100MΩ
IP rating:	IP 50
Shielding efficiency:	at 10MHz>75dB/at 1GHz>40dB
Salt spray corrosion test:	>144h

Size	Dimensions(mm)						
	A	H	L	M	S1	S2	S3
00	7.5	18.0	24.5	16.5	7.0	5.0	5.3
0B	9.5	23.0	30.0	20.0	9.0	7.0	8.0
1B	12.0	29.0	36.0	25.0	11.0	9.0	10.0
2B	15.0	35.0	41.5	29.5	14.0	12.0	13.0